

Technical sheet :

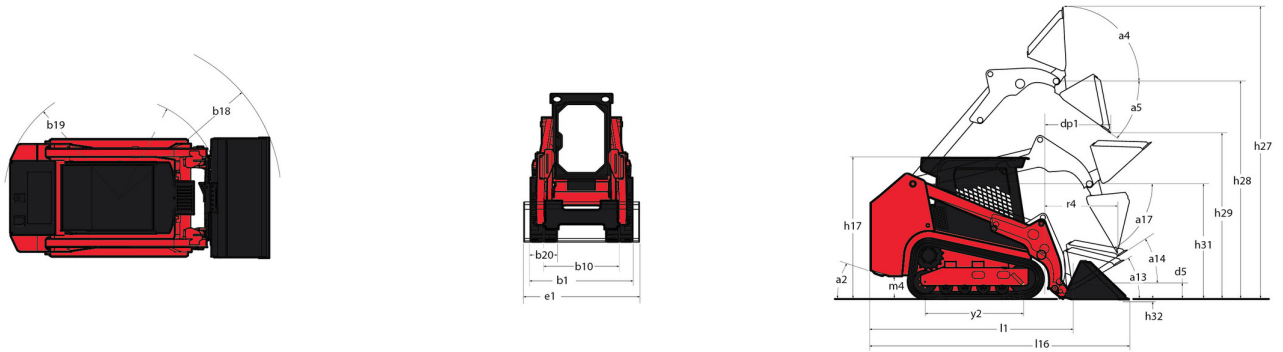
2150RT



 **MANITOU**
HANDLING YOUR WORLD

| Capacities | | Metric |
|---|-----|--|
| Max. capacity | Q | 2787 kg |
| Operating Weight | | 4491 kg |
| Unladen weight | | 4491 kg |
| Operating Capacity at 35% Tipping Load | | 975 kg |
| Operating Capacity At 50% Tipping Load | | 1393 kg |
| Tipping capacity | | 2787 kg |
| Weight and dimensions | | |
| Overall Operating Height - Fully Raised | h27 | 4267 mm |
| Height to Hinge Pin - Fully Raised | h28 | 3251 mm |
| Dump reach - Full height | r6 | 876 mm |
| Dump angle at full height | a5 | 39 ° |
| Dump Height - Fully Raised | h29 | 2489 mm |
| Maximum Rollback Angle - Fully Raised | a4 | 102.50 ° |
| Overall Height to top of ROPS | h17 | 2111 mm |
| Overall length with bucket | l16 | 3769 mm |
| Departure angle | a2 | 29.20 ° |
| Overall Length without Bucket | l1 | 2959 mm |
| Specified Height | h31 | 1720 mm |
| Reach at Specified Height | r4 | 795 mm |
| Dump angle at specified height | a17 | 75 ° |
| Carry Position | d5 | 208 mm |
| Maximum Rollback Angle at Carry Position | a14 | 31.60 ° |
| Digging Position | h32 | 16 mm |
| Angle of Departure with STD Counterweight | | 29.20 ° |
| Ground clearance | m4 | 320 mm |
| Track gauge | b10 | 1313 mm |
| Track Shoe Width | b20 | 450 mm |
| Crawler base | y2 | 1483 mm |
| Overall width less bucket | b1 | 1765 mm |
| Bucket Width | e1 | 1877 mm |
| Clearance Radius - Front with Bucket | b18 | 2403 mm |
| Angle of Approach | a3 | 90 ° |
| Grouser Height | | 25 mm |
| Track Type / Track Rollers / Roller Type | | Rubber / 5 / Steel |
| Performances | | |
| Ground Speed - Single Speed | | 9.50 km/h |
| Ground Speed - Two Speed | | 14.20 km/h |
| Drawbar Pull/Tractive Effort | | 5503 kg |
| Bucket Breakout - Tilt Cylinder | | 3008 kg |
| Bucket Breakout - Lift Cylinder | | 2940 kg |
| Engine | | |
| Engine brand | | Yanmar |
| Engine model | | TNV98CFNMSL |
| Motor Type | | Axial Piston with Planetary Gear Box Reduction |
| Gross Power / Power | | 53.70 kW @ 2500 rpm |
| Net Power / Power | | 52.70 kW / 2500 rpm |
| Max. torque | | 294 Nm |
| I.C. Engine power rating | | 72 Hp |
| Battery voltage | | 12 V |
| Cold Cranking Amps at Temperature (CCA) | | 850 A |
| Alternator - Voltage / Ampere | | 14 V / 100 A |
| Hydraulics | | |
| Standard flow - Auxiliary hydraulics | | 82.51 l/min |
| Tank capacities | | |
| Oil Pan Capacity | | 10.40 l |
| Hydraulic tank capacity | | 52.20 l |
| Fuel tank | | 91 l |
| Liquid cooling tank volume | | 14.40 l |
| Displacement / Number of cylinders | | 3.30 l / 4 |
| Noise and vibration | | |
| Noise to environment (LwA) | | 103 dB |
| Noise at driving position (LpA) | | 83 dB |
| Miscellaneous | | |
| Ground Pressure | | 0.33 bar |

2150RT - Dimensional drawing



Equipment

| | |
|--|----------|
| Lifting function | |
| All-Tach® Attachment Mounting System | Standard |
| Auxiliary Hydraulics | Standard |
| Electronic Attachment Control - 14-Pin Connector | Optional |
| High-Flow Auxiliary Hydraulics | Optional |
| IdealTrax® automatic track tensioning system | Standard |
| Power-A-Tach® Attachment Mounting System | Optional |
| Motorization/Power | |
| Combination Radiator & Hydraulic Oil Cooler | Standard |
| Dual-Element Air Cleaner with Indicator | Standard |
| Engine Auto-Shutdown System | Standard |
| Glowplugs Starts Assist | Standard |
| Two-Speed Hydrostatic Drive System | Standard |
| Operator station | |
| Air suspension seat | Optional |
| Foot Throttle | Standard |
| Full-Suspension Seat | Standard |
| IdealAccess™ Fold-Up Door | Optional |
| Multi-Function Display Screen | Standard |
| Pressurized Cab Enclosure with A/C | Optional |
| Rearview Camera | Standard |
| ROPS/FOPS Level II Overhead Guard | Standard |
| Sliding Side Windows | Standard |
| Swing-out Cab Door | Standard |
| Other options | |
| Selectable Self-Leveling Hydraulic Lift Action 4 | Optional |
| Pneumatics | |
| Rubber Track Undercarriage System | Standard |
| Single Flange Front/Dual Flange Rear Idlers | Standard |
| Secondary functions | |
| Counterweight | Standard |
| Dedicated Undercarriage | Standard |
| Security | |
| Anti-Vandalism Lock Provisions | Standard |
| Back-Up Alarm | Standard |
| Easy Manager | Standard |
| Engine Alert System with Error Display | Standard |
| Mechanical Lift Cylinder Lock | Standard |
| Tilt-out Foot Pod | Standard |



Head Office

B.P. 249 - 430 rue de l'Aubinière

44150 Ancenis Cedex - France

Tel: +33 (0)2 40 09 10 11 - Fax: +33 (0)2 40 09 10 97

www.manitou.com



This publication provides a description of the configuration versions and options for Manitou products, which may differ for equipment. The equipment presented in this brochure may be part of a series, as an option, or it may not be available, depending on the versions. Manitou reserves the right, at any time and without notice, to amend the specifications described and represented. The specifications provided do not bind the manufacturer. For more details, please contact your Manitou agent. This is not a contractually binding document. The presentation of the products is not contractually binding. List of specifications non-exhaustive. The logos as well as the visual identity of the company are owned by Manitou and cannot be used without authorisation. All rights reserved. The photos and diagrams contained in this brochure are only provided for consultation and information purposes.

MANITOU BF SA - Limited company with board of directors - Share capital: 39,668,399 euros - 857 802 508 RCS Nantes