

Technical sheet :

MBL 745 HT RANGER

Manitou is committed to bringing value to its backhoe loaders by incorporating advanced and robust features for multi-application capabilities. Powered by a BS-IV engine, the Ranger variant is launched for robustness and improved working on harder surfaces. A curved boom ensures there is no dip in the efficiency of the machine while used on harder strata and can smoothly operate in tough conditions. Curved boom due to its narrow width enables easy operation in narrow and confined areas and improves rear visibility.



 **MANITOU**
HANDLING YOUR WORLD

| Capacities | | Metric |
|---|------|---|
| Wheelbase 2 wheels drive | | 2185 mm |
| Wheelbase 4 wheels drive | | 2130 mm |
| Weight and dimensions | | |
| Unladen weight | | 7300 kg |
| Unladen weight with 2 WD | | 7490 kg |
| Unladen weight with 2 WD 7 in 1 | | 7780 kg |
| Unladen weight with 4 WD | | 7505 kg |
| Unladen weight with 4 WD 7 in 1 | | 7795 kg |
| Overall length | l1 | 7380 mm |
| Overall width | b1 | 2330 mm |
| Cabin height | h6 | 2830 mm |
| Height of cab with air conditioning (option) | h6** | 2860 mm |
| Overall height | h17 | 3520 mm |
| External turning radius over tyres (braked) / External turning radius over tyres (braked) 4WD | Wa1 | 3.85 m / 3.85 m |
| External turning radius over tyres (unbraked) / External turning radius over tyres (unbraked) 4WD | Wa1 | 4.20 m / 4.20 m |
| External turning radius over bucket (braked) | Wa5 | 5.55 m |
| External turning radius over bucket (unbraked) | Wa5 | 5.70 m |
| Standard tires front / rear | | 12.5 x 18 - 12 PR / 16.9 x 28-12PR |
| Optional tyre (front / rear) | | 9 x 16 - 16 PR / 14 x 25 - 20 PR |
| Reach at travelling | c2 | 2098 mm |
| Rear axle center to slew center | c3 | 1293 mm |
| Ground clearance | m4 | 380 mm |
| Performances | | |
| Travel speed forward 1st / 2nd | | 5.40 km/h / 8.60 km/h |
| Travel speed forward 3rd / 4th | | 19.90 km/h / 40 km/h |
| Engine | | |
| Engine brand | | Koel |
| Engine model | | 4R1190TA-H.T Turbo Charged Water Cooled BS IV CEV |
| Displacement | | 4.76 l |
| Gross Power / Power | | 54.80 kW @ 2200 rpm |
| Max. torque / Engine rotation | | 400 Nm @ 1200 rpm |
| Battery voltage / capacity | | 12 V / 142 Ah |
| Transmission | | |
| Transmission brand | | Carraro |
| Number of gears (forward / reverse) | | 4 / 4 |
| Torque converter stall ratio | | 2.64:1 |
| Service brake | | Wet disc brakes |
| Hydraulics | | |
| Hydraulic flow | | 119 l/min |
| Main relief pressure | | 225 bar |
| Tank capacities | | |
| Hydraulic oil | | 90 l |
| Liquid cooling tank volume | | 16 l |
| Fuel tank | | 120 l |
| Transmission oil | | 17.50 l |
| Engine oil | | 11 l |
| Oil rear axle | | 17.50 l |
| Bucket | | |
| Backhoe standard capacity | | 0.27 m³ |
| Width backhoe bucket | | 889 mm |
| Loader standard capacity | | 1 m³ |
| Width loader bucket | | 2235 mm |
| Miscellaneous | | |
| Power steering | | Yes |
| Front steer axle of oscillation 2WD | | 20 ° |
| Front steer axle of oscillation 4WD | | 16 ° |
| Steering wheels (front / rear) | | 2 / 2 |

Performance backhoe

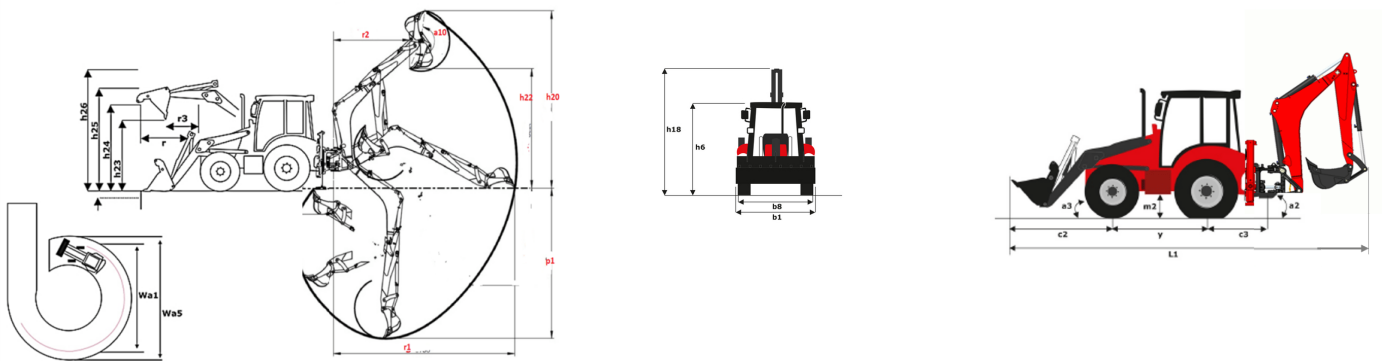
| | Standard dipper |
|---|-----------------|
| p1 - Max dig depth (mm) | 4415 |
| r1 - Max reach ground level to slew center (mm) | 5710 |
| r2 - Max loading reach (mm) | 2570 |
| Max operating height (mm) | 5650 |
| Max loading height (mm) | 3555 |
| a10 - Max bucket rotation (°) | 197 |
| Total side shift (mm) | 1181 |
| Dipper tearout (kgF) | 3163 |
| Bucket tearout (kgF) | 5685 |
| Hydraulic lift capacity (kg) | 1460 |

Performance loader

| |
|--|
| Max dump angle (°) |
| h26 - Max operating height (loader version) (mm) |
| h23 - Max dump height at 45° (mm) |
| h24 - Max loadover height (mm) |
| h25 - Max hinge pin height (mm) |
| r3 - Max reach at full height 45° (mm) |
| p3 - Below ground dig depth (mm) |
| a13 - Rollback at ground (°) |
| Shovel breakout (kgf) |
| Arms breakout (kgf) |
| Lifting capacity at full height (kg) |

| Standard shovel | |
|-----------------|------|
| | 51 |
| | 4230 |
| | 2780 |
| | 3310 |
| | 3570 |
| | 710 |
| | 156 |
| | 45 |
| | 5229 |
| | 4691 |
| | 3467 |

MBL 745 HT RANGER - Dimensional drawing





Head Office

B.P. 249 - 430 rue de l'Aubinière

44150 Ancenis Cedex - France

Tel: +33 (0)2 40 09 10 11 - Fax: +33 (0)2 40 09 10 97

www.manitou.com



This publication provides a description of the configuration versions and options for Manitou products, which may differ for equipment. The equipment presented in this brochure may be part of a series, as an option, or it may not be available, depending on the versions. Manitou reserves the right, at any time and without notice, to amend the specifications described and represented. The specifications provided do not bind the manufacturer. For more details, please contact your Manitou agent. This is not a contractually binding document. The presentation of the products is not contractually binding. List of specifications non-exhaustive. The logos as well as the visual identity of the company are owned by Manitou and cannot be used without authorisation. All rights reserved. The photos and diagrams contained in this brochure are only provided for consultation and information purposes.

MANITOU BF SA - Limited company with board of directors - Share capital: 39,668,399 euros - 857 802 508 RCS Nantes