

Technical sheet :

MBL-X 920 94P ST3

Manitou is committed to bringing value to its backhoe loaders by incorporating advanced and robust features for multi-application capabilities. MBL X 920 is powered by Tier -II/III engine. The structure of MBL X 920 is durable and designed for intensive operations. It comes with the latest cabin design and unbreakable bonnet which promises to deliver higher up-time and require low maintenance, even after prolonged usage. Customers get quick returns on their investments on top of an optimum Total Cost of Ownership. It comes with an option of features such as AC, multipurpose bucket.



 **MANITOU**
HANDLING YOUR WORLD

Capacities		Metric
Wheelbase 2 wheels drive		2185 mm
Wheelbase 4 wheels drive		2130 mm
Weight and dimensions		
Unladen weight		7620 kg
Unladen weight with 4 WD		7620 kg
Unladen weight with 4 WD 7 in 1		7908 kg
Overall length	l1	7330 mm
Overall width	b1	2330 mm
Overall width with stabilizers extended - Center mount only		3910 mm
Cabin height	h6	2830 mm
Height of cab with air conditioning (option)	h6**	2860 mm
Overall height	h17	3790 mm
External turning radius over tyres (braked)	Wa1	3850 mm
External turning radius over tyres (unbraked)	Wa1	4200 mm
External turning radius over bucket (braked)	Wa5	5550 mm
External turning radius over bucket (unbraked)	Wa5	5700 mm
Standard tires front / rear		12.5 x 18 - 12 PR / 16.9 x 28-12PR
Optional tyre (front / rear)		9 x 16 - 16 PR / 14 x 25 - 20 PR
Reach at travelling	c2	2098 mm
Rear axle center to slew center	c3	1293 mm
Departure angle	a2	20 °
Angle of Approach	a3	66 °
Ground clearance	m4	280 mm
Performances		
Travel speed forward 1st / 2nd		5.40 km/h / 8.60 km/h
Travel speed forward 3rd / 4th		19.90 km/h / 40 km/h
Engine		
Engine brand		Perkins
Engine model		1104D 44T Turbo Charged Water Cooled Tier-III
Displacement		4.40 l
Gross Power / Power		70 kW @ 2200 rpm
Max. torque		395 Nm
Battery voltage / capacity		12 V / 75 Ah
Transmission		
Transmission brand		Carraro
Number of gears (forward / reverse)		4 / 4
Torque converter stall ratio		3.01:1
Service brake		Wet disc brakes
Hydraulics		
Hydraulic flow		142 l/min
Main relief pressure		225 bar
Tank capacities		
Hydraulic oil		90 l
Liquid cooling tank volume		16 l
Fuel tank		145 l
Transmission oil		17.50 l
Engine oil		9.10 l
Oil rear axle		17.50 l
Bucket		
Backhoe standard capacity		0.24 m³
Width backhoe bucket		892 mm
Loader standard capacity		1 m³
Width loader bucket		2235 mm
Miscellaneous		
Power steering		Yes
Front steer axle of oscillation 2WD		20 °
Front steer axle of oscillation 4WD		16 °
Steering wheels (front / rear)		2 / 2

Performance backhoe

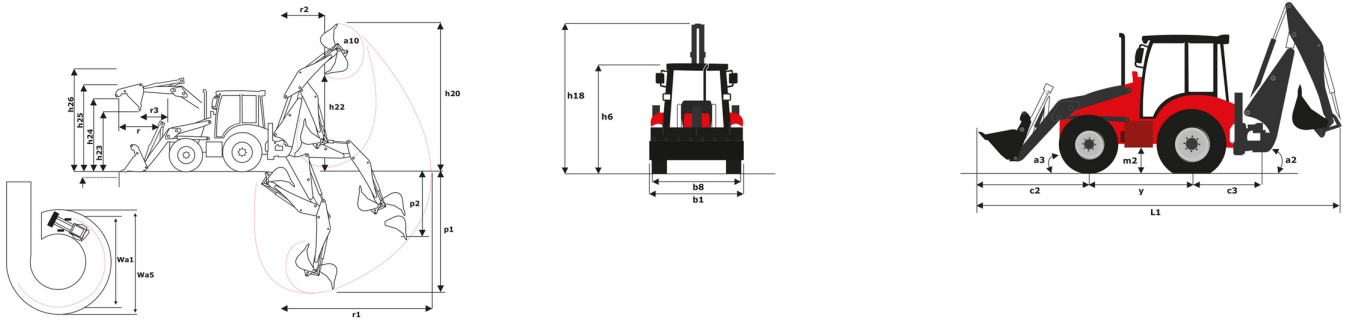
	Standard dipper	Extending dipper
		Retracted
p1 - Max dig depth (mm)	4741	5815
r1 - Max reach ground level to slew center (mm)	5730	7019
r2 - Max loading reach (mm)	1996	4849
Max operating height (mm)	5626	6637
h22 - Max loading height SAE (mm)	-	4531
Max loading height (mm)	3871	4849
p2 - Max straight wall dig depth (mm)	2602	3991
a10 - Max bucket rotation (°)	194	194
Total side shift (mm)	1198	1198
Dipper tearout (kgF)	4336	2644
Bucket tearout (kgF)	5810	5219
Hydraulic lift capacity (kg)	1460	812

Performance loader

Max dump angle (°)
h26 - Max operating height (loader version) (mm)
h23 - Max dump height at 45° (mm)
h24 - Max loadover height (mm)
h25 - Max hinge pin height (mm)
r3 - Max reach at full height 45° (mm)
p3 - Below ground dig depth (mm)
a13 - Rollback at ground (°)
Shovel breakout (kgf)
Arms breakout (kgF)
Lifting capacity at full height (kg)

Standard shovel	
	51
	4230
	2780
	3310
	3570
	710
	156
	45
	5229
	5312
	3819

MBL-X 920 94P ST3 - Dimensional drawing





Head Office

B.P. 249 - 430 rue de l'Aubinière

44150 Ancenis Cedex - France

Tel: +33 (0)2 40 09 10 11 - Fax: +33 (0)2 40 09 10 97

www.manitou.com



This publication provides a description of the configuration versions and options for Manitou products, which may differ for equipment. The equipment presented in this brochure may be part of a series, as an option, or it may not be available, depending on the versions. Manitou reserves the right, at any time and without notice, to amend the specifications described and represented. The specifications provided do not bind the manufacturer. For more details, please contact your Manitou agent. This is not a contractually binding document. The presentation of the products is not contractually binding. List of specifications non-exhaustive. The logos as well as the visual identity of the company are owned by Manitou and cannot be used without authorisation. All rights reserved. The photos and diagrams contained in this brochure are only provided for consultation and information purposes.

MANITOU BF SA - Limited company with board of directors - Share capital: 39,668,399 euros - 857 802 508 RCS Nantes