

Technical sheet :

MLT 1041-145 PS+L



 **MANITOU**
HANDLING YOUR WORLD

Capacities		Metric
Max. capacity	Q	4100 kg
Max. lifting height	h3	9.65 m
Max. outreach		6.50 m
Reach at max. height		1.50 m
Breakout force with bucket		5043 daN
Weight and dimensions		
Unladen weight (with forks)		9690 kg
Ground clearance	m4	0.43 m
Wheelbase	y	2.88 m
Overall length to carriage (with hitch)	l11	5.20 m
Overall length to carriage (without hitch)	l3	5.03 m
Front overhang		1.30 m
Overall width	b1	2.39 m
Overall cab width	b4	0.99 m
Overall height	h17	2.42 m
Tilt-down angle	a5	135 °
Tilt-up angle	a4	12 °
External turning radius (over tyres)	Wa1	3.74 m
Standard tires		Michelin - XMCL - 460/70 R24 159A8
Drive wheels (front / rear)		2 / 2
Steering wheels (front / rear)		2 / 2
Frame leveling corrector	a9	7 °
Performances		
Lifting		6.60 s
Lowering		4.70 s
Extension		9.50 s
Retraction		6.90 s
Crowd		3.70 s
Dump		2.80 s
Engine		
Engine brand		Yanmar
Engine norm		Stage V / Tier 4 Final
Engine model		4TN107FHT-5SMUF
Number of cylinders - Capacity of cylinders		4 - 4567 cm ³
I.C. Engine power rating / Power		141 Hp / 105 kW
Max. torque / Engine rotation		602 Nm @1500 rpm
Drawbar pull (Laden)		9130 daN
Reversible fan		Standard
Engine cooling system		4 radiators (water + intercooler + hydraulic oil + transmission oil)
Transmission		
Transmission type		Torque converter with powershift gearbox
Gearbox		M-Shift
Number of gears (forward / reverse)		5 / 3
Max. travel speed (may vary according to applicable regulations)		40 km/h
Differential lock		Limited slip differential on front and rear axles
Parking brake		Automatic negative parking brake
Service brake		Oil-immersed multi-discs braking on front & rear axles
Hydraulics		
Hydraulic pump type		Variable displacement pump
Hydraulic flow - Pressure		200 l/min - 270 bar
Flow sharing distributor		Standard
Tank capacities		
Hydraulic tank capacity		141 l
Fuel tank		142 l
Diesel Exhaust fluid (AdBlue [®] type)		21.50 l
Noise and vibration		
Noise at driving position (LpA) tested following NF EN 12053 nom		69 dB
Noise to environment (LwA)		105 dB
Vibration on hands/arms		< 2.50 m/s ²
Miscellaneous		
Tractor homologation		Tractor homologation
Safety cab homologation		Cabin ROPS - FOPS level 2
Controls		JSM

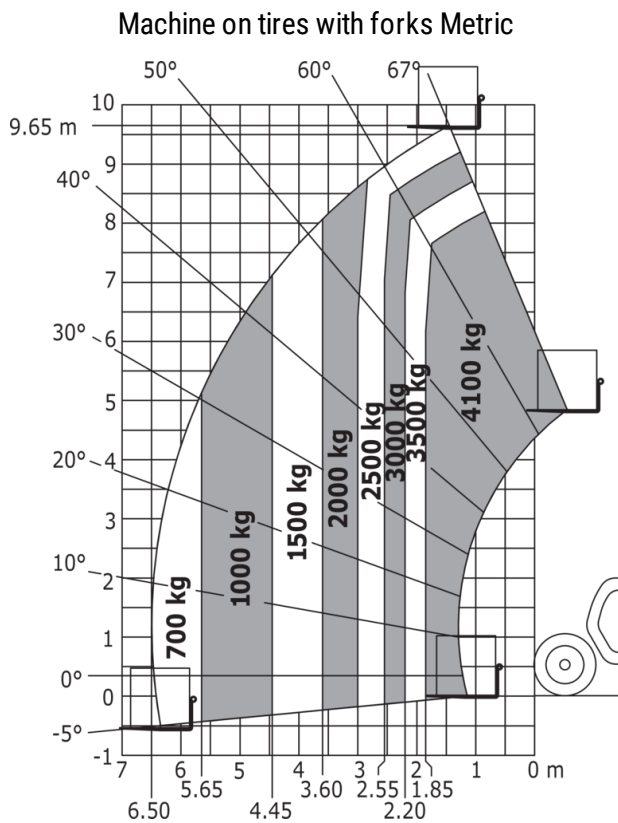
Optional tires tab

	Overall height	Overall width
ALLIANCE - A580 - 460/70 R24 159A8	2.53 m	2.38 m
ALLIANCE - A585 - 460/70 R24 159A8	2.53 m	2.39 m
MICHELIN - BIBLOAD - 460/70 R24 159A8	2.52 m	2.39 m
MICHELIN - BIBLOAD - 500/70 R24 164A8	2.56 m	2.42 m
MICHELIN - XMCL - 460/70 R24 159A8	2.53 m	2.39 m
MICHELIN - XMCL - 500/70 R24 164A8	2.55 m	2.43 m
TRELLEBORG - TH400 - 460/70 R24 159A8	2.52 m	2.39 m
TRELLEBORG - TH400 - 500/70 R24 164A8	2.55 m	5.42 m
TRELLEBORG - TH500 - 460/70 R24 159A8	2.53 m	2.41 m
VREDESTEIN - ENDURION - 460/70 R24 159A8	2.54 m	2.40 m
VREDESTEIN - ENDURION - 500/70 R24 164A8	2.56 m	2.44 m

MLT 1041-145 PS+L - Dimensional drawing



MLT 1041-145 PS+L - Load chart





Head Office

B.P. 249 - 430 rue de l'Aubinière

44150 Ancenis Cedex - France

Tel: +33 (0)2 40 09 10 11 - Fax: +33 (0)2 40 09 10 97

www.manitou.com



This publication provides a description of the configuration versions and options for Manitou products, which may differ for equipment. The equipment presented in this brochure may be part of a series, as an option, or it may not be available, depending on the versions. Manitou reserves the right, at any time and without notice, to amend the specifications described and represented. The specifications provided do not bind the manufacturer. For more details, please contact your Manitou agent. This is not a contractually binding document. The presentation of the products is not contractually binding. List of specifications non-exhaustive. The logos as well as the visual identity of the company are owned by Manitou and cannot be used without authorisation. All rights reserved. The photos and diagrams contained in this brochure are only provided for consultation and information purposes.

MANITOU BF SA - Limited company with board of directors - Share capital: 39,668,399 euros - 857 802 508 RCS Nantes