

Technical sheet :

# MLT 841-145 PS+



Capacities		Metric
Max. capacity	Q	4100 kg
Max. lifting height		7.60 m
Max. outreach		4.45 m
Reach at max. height		0.90 m
Breakout force with bucket		5268 daN
Weight and dimensions		
Unladen weight (with forks)		9160 kg
Ground clearance	m4	0.43 m
Wheelbase	y	2.88 m
Overall length to carriage (with hitch)	l11	5.40 m
Overall length to carriage (without hitch)	l3	5.23 m
Front overhang		1.50 m
Overall width	b1	2.39 m
Overall cab width	b4	0.99 m
Overall height	h17	2.42 m
Tilt-down angle	a5	135 °
Tilt-up angle	a4	12 °
External turning radius (over tyres)	Wa1	3.74 m
Standard tires		Michelin - XMCL - 460/70 R24 159A8
Drive wheels (front / rear)		2 / 2
Steering mode		Manicrab, 2 wheel steer, 4 wheel steer, Crab mode
Performances		
Lifting		6.40 s
Lowering		4.60 s
Extension		6.10 s
Retraction		5.20 s
Crowd		3 s
Dump		2.20 s
Engine		
Engine brand		Yanmar
Engine nom		Stage V / Tier 4 Final
Engine model		4TN107FHT-5SMUF
Number of cylinders - Capacity of cylinders		4 - 4567 cm³
Engine power (Hp / kW)		141 Hp / 105 kW
Max. torque / Engine rotation		602 Nm @1500 rpm
Drawbar pull (Laden)		8727 daN
Reversible fan		Standard
Engine cooling system		4 radiators (water + intercooler + hydraulic oil + transmission oil)
Transmission		
Transmission type		Torque converter with powershift gearbox
Gearbox		M-Shift
Number of gears (forward / reverse)		5 / 3
Max. travel speed (may vary according to applicable regulations)		40 km/h
Differential lock		Limited slip differential on front and rear axles
Parking brake		Automatic negative parking brake
Service brake		Oil-immersed multi-discs braking on front & rear axles
Hydraulics		
Hydraulic pump type		Variable displacement pump
Hydraulic flow - Pressure		200 l/min - 270 bar
Flow sharing distributor		Standard
Tank capacities		
Hydraulic tank capacity		141 l
Fuel tank capacity		142 l
Diesel Exhaust fluid (AdBlue® type) tank capacity		21.50 l
Noise and vibration		
Noise at driving position (LpA) tested following NF EN 12053 nom		69 dB
Noise to environment (LwA)		105 dB
Vibration on hands/arms		< 2.50 m/s²
Miscellaneous		
Tractor homologation		Tractor homologation
Cab certification		Cabin ROPS - FOPS level 2
Controls		JSM

## Optional tires tab

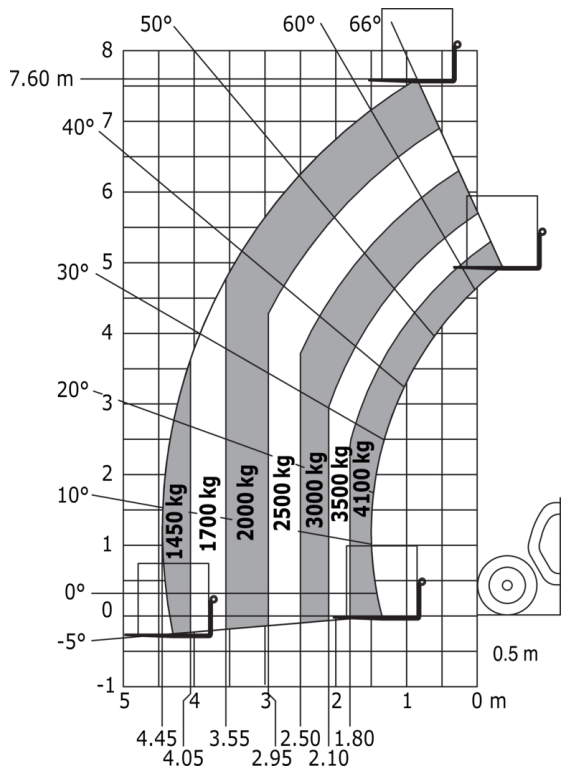
	Overall height	Overall width
ALLIANCE - A580 - 460/70 R24 159A8	2.53 m	2.38 m
ALLIANCE - A585 - 460/70 R24 159A8	2.53 m	2.39 m
MICHELIN - BIBLOAD - 460/70 R24 159A8	2.52 m	2.39 m
MICHELIN - BIBLOAD - 500/70 R24 164A8	2.54 m	2.42 m
MICHELIN - XMCL - 460/70 R24 159A8	2.53 m	2.39 m
MICHELIN - XMCL - 500/70 R24 164A8	2.55 m	2.43 m
TRELLEBORG - TH400 - 460/70 R24 159A8	2.52 m	2.39 m
TRELLEBORG - TH400 - 500/70 R24 164A8	2.55 m	2.42 m
TRELLEBORG - TH500 - 460/70 R24 159A8	2.53 m	2.41 m
VREDESTEIN - ENDURION - 460/70 R24 159A8	2.54 m	2.40 m
VREDESTEIN - ENDURION - 500/70 R24 164A8	2.56 m	2.44 m

## MLT 841-145 PS+ - Dimensional drawing



## MLT 841-145 PS+ - Load chart

Machine on tires with forks Metric



Machine on tires with forks LC 600 mm Metric





**Head Office**

B.P. 249 - 430 rue de l'Aubinière  
44150 Ancenis Cedex - France

Tel: +33 (0)2 40 09 10 11 - Fax: +33 (0)2 40 09 10 97

[www.manitou.com](http://www.manitou.com)



This publication provides a description of the configuration versions and options for Manitou products, which may differ for equipment. The equipment presented in this brochure may be part of a series, as an option, or it may not be available, depending on the versions. Manitou reserves the right, at any time and without notice, to amend the specifications described and represented. The specifications provided do not bind the manufacturer. For more details, please contact your Manitou agent. This is not a contractually binding document. The presentation of the products is not contractually binding. List of specifications non-exhaustive. The logos as well as the visual identity of the company are owned by Manitou and cannot be used without authorisation. All rights reserved. The photos and diagrams contained in this brochure are only provided for consultation and information purposes.

MANITOU BF SA - Limited company with board of directors - Share capital: 39,668,399 euros - 857 802 508 RCS Nantes