

Ficha técnica :

MLT-X 841 - 145 PS+



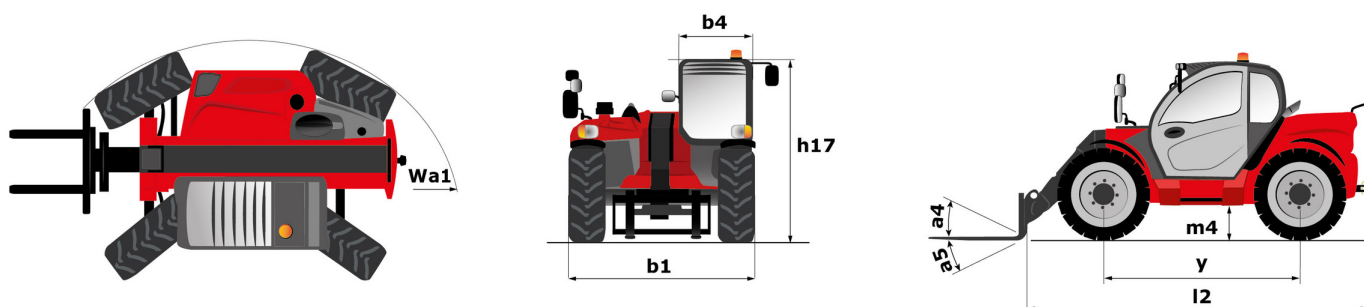
 **MANITOU**
HANDLING YOUR WORLD

| Capacities | | Métrico |
|--|-----|--|
| Max. capacity | Q | 4100 kg |
| Max. lifting height | h3 | 7.60 m |
| Max. outreach | | 4.45 m |
| Reach at max. height | | 0.90 m |
| Breakout force with bucket | | 5268 daN |
| Weight and dimensions | | |
| Unladen weight (with forks) | | 9160 kg |
| Ground clearance | m4 | 0.43 m |
| Wheelbase | y | 2.88 m |
| Overall length to carriage (with hitch) | l11 | 5.40 m |
| Overall length to carriage (without hitch) | l3 | 5.23 m |
| Front overhang | | 1.50 m |
| Overall width | b1 | 2.39 m |
| Overall cab width | b4 | 0.99 m |
| Overall height | h17 | 2.42 m |
| Tilt-down angle | a5 | 135 ° |
| Tilt-up angle | a4 | 12 ° |
| External turning radius (over tyres) | Wa1 | 3.74 m |
| Standard tires | | Michelin - XMCL - 460/70 R24 159A8 |
| Drive wheels (front / rear) | | 2 / 2 |
| Steering wheels (front / rear) | | 2 / 2 |
| Performances | | |
| Lifting | | 6.40 s |
| Lowering | | 4.60 s |
| Extension | | 6.10 s |
| Retraction | | 5.20 s |
| Crowd | | 3 s |
| Dump | | 2.20 s |
| Engine | | |
| Engine brand | | Yanmar |
| Engine nom | | Stage IIIA |
| Max. fuel sulphur content | | 1000 ppm |
| Engine model | | 4TN107HT-5SMUF |
| Number of cylinders - Capacity of cylinders | | 4 - 4567 cm³ |
| I.C. Engine power rating / Power | | 141 Hp / 105 kW |
| Max. torque / Engine rotation | | 602 Nm @1500 rpm |
| Drawbar pull (Laden) | | 8727 daN |
| Reversible fan | | Standard |
| Engine cooling system | | 4 radiators (water + intercooler + hydraulic oil + transmission oil) |
| Transmission | | |
| Transmission type | | Torque converter with powershift gearbox |
| Gearbox | | M-Shift |
| Number of gears (forward / reverse) | | 5 / 3 |
| Max. travel speed (may vary according to applicable regulations) | | 40 km/h |
| Differential lock | | Limited slip differential on front and rear axles |
| Parking brake | | Automatic negative parking brake |
| Service brake | | Oil-immersed multi-discs braking on front & rear axles |
| Hydraulics | | |
| Hydraulic pump type | | Variable displacement pump |
| Hydraulic flow - Pressure | | 200 l/min - 270 bar |
| Flow sharing distributor | | Standard |
| Tank capacities | | |
| Hydraulic tank capacity | | 141 l |
| Fuel tank | | 142 l |
| Noise and vibration | | |
| Noise at driving position (LpA) tested following NF EN 12053 nom | | 69 dB |
| Noise to environment (LWA) | | 105 dB |
| Vibration on hands/arms | | < 2.50 m/s² |
| Miscellaneous | | |
| Tractor homologation | | Tractor homologation |
| Safety cab homologation | | Cabin ROPS - FOPS level 2 |
| Controls | | JSM |

Optional tires tab

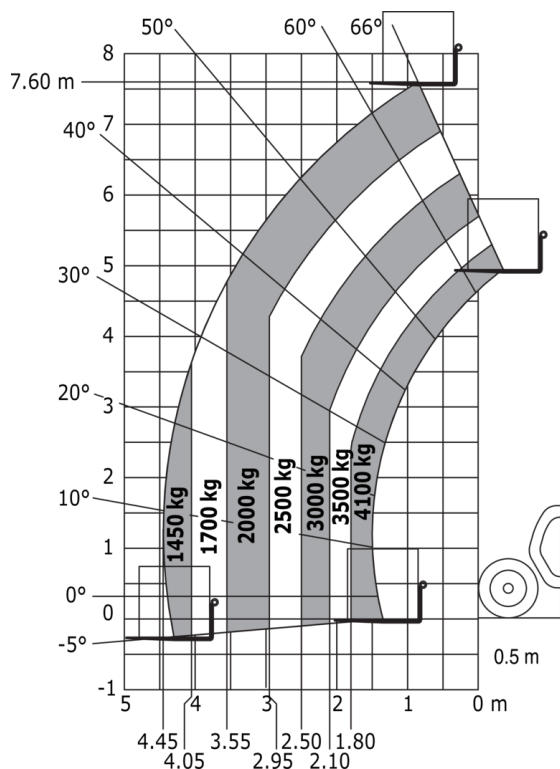
| | Overall height | Overall width |
|--|----------------|---------------|
| ALLIANCE - A580 - 460/70 R24 159A8 | - | - |
| ALLIANCE - A585 - 460/70 R24 159A8 | - | - |
| MICHELIN - XMCL - 500/70 R24 164A8 | - | - |
| MICHELIN - BIBLOAD - 500/70 R24 164A8 | - | - |
| MICHELIN - BIBLOAD - 460/70 R24 159A8 | - | - |
| TRELLEBORG - TH400 - 460/70 R24 159A8 | - | - |
| TRELLEBORG - TH400 - 500/70 R24 164A8 | - | - |
| TRELLEBORG - TH500 - 460/70 R24 159A8 | - | - |
| VREDESTEIN - ENDURION - 460/70 R24 159A8 | - | - |
| VREDESTEIN - ENDURION - 500/70 R24 164A8 | - | - |

MLT-X 841 - 145 PS+ - Diagrama dimensional



MLT-X 841 - 145 PS+ - Diagramas de carga

Machine on tires with forks Metric





Oficina Central

B.P. 249 - 430 rue de l'Aubinière

44150 Ancenis Cedex - Francia

Tel.: 00 33 (0)2 40 09 10 11 - Fax: 00 33 (0)2 40 09 10 97

www.manitou.com



Esta publicación describe las versiones y posibilidades de configuración de los productos Manitou que puedan diferir en equipamiento. Los equipamientos presentados en este folleto pueden ser de serie, opcionales o no estar disponibles en algunas versiones. Manitou se reserva el derecho, en cualquier momento y sin previo aviso, de modificar las especificaciones descritas y representadas. Las especificaciones aportadas no comprometen al fabricante. Para más información, póngase en contacto con su concesionario Manitou. Documento no contractual. Presentación de los productos no contractual. Lista de especificaciones no exhaustiva. Los logos y la identidad visual de la empresa son propiedad de Manitou y no pueden ser utilizados sin autorización. Todos los derechos reservados. Las fotos y los esquemas contenidos en este folleto se ofrecen para consulta y a título indicativo solamente.

Manitou BF SA - Sociedad anónima con Consejo de Administración - Capital social: 39 668 399 euros - 857 802 508 RCS Nantes