

Ficha técnica :

# MT-X 1033 MINING

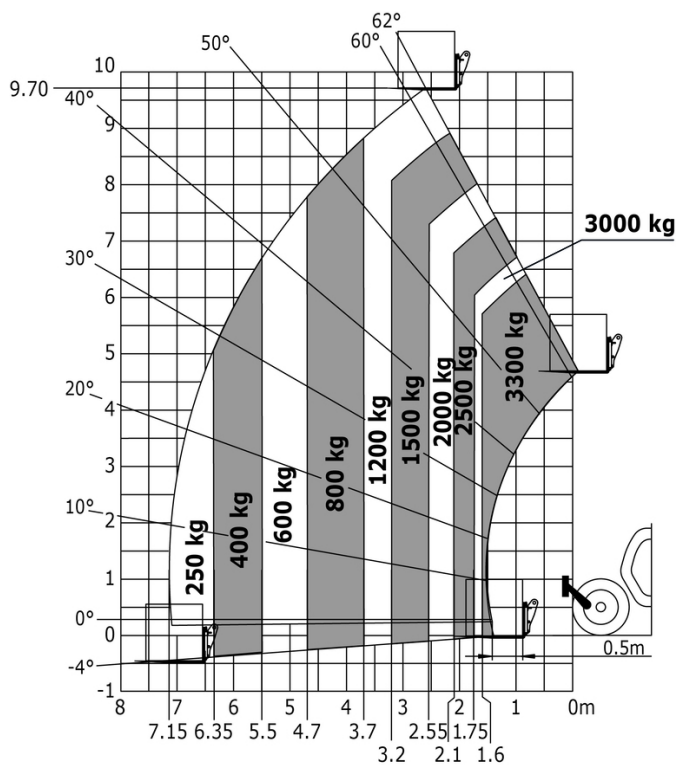


 **MANITOU**  
HANDLING YOUR WORLD

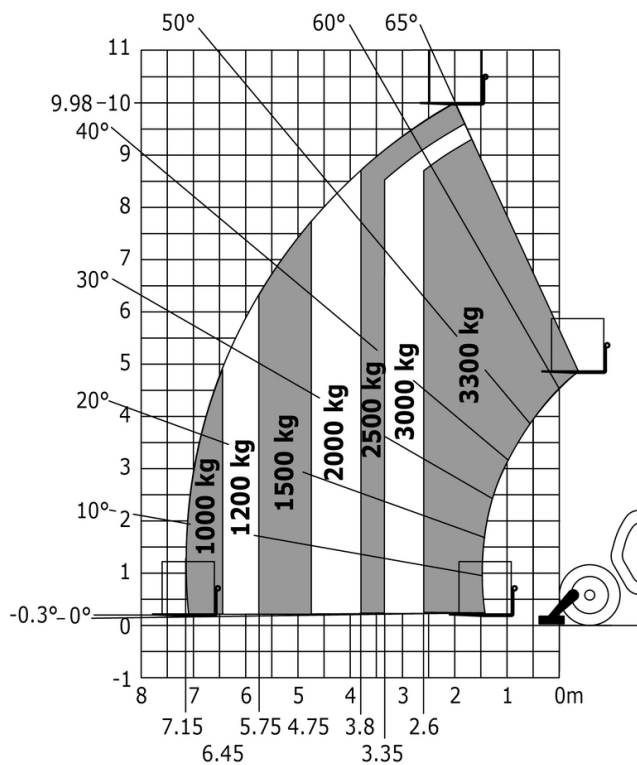
| Capacities                                  |           | Métrico  |
|---|-----------|--|
| Max. capacity                               |           | 3300 kg  |
| Max. lifting height                         |           | 9.98 m   |
| Max. outreach                               |           | 7.15 m   |
| Breakout force with bucket                  |           | 5330 daN                                       |
| Weight and dimensions                       |           |  |
| Overall length to carriage                  | l11       | 4.93 m   |
| Length to face of forks                     | l2        | 4.93 m   |
| Overall width                               | b1        | 2.25 m   |
| Overall height                              | h17       | 2.30 m   |
| Wheelbase                                   | y         | 2.69 m   |
| Ground clearance                            | m4        | 0.44 m   |
| Overall cab width                           | b4        | 0.89 m   |
| Tilt-up angle                               | a4        | 12 °   |
| Tilt-down angle                             | a5        | 114 °  |
| External turning radius (over tyres)        | Wa1       | 3.66 m   |
| Unladen weight (with forks)                 |           | 7745 kg  |
| Overall weight                              |           | 7745 kg  |
| Tires type                                  |           | Pneumatic                                      |
| Standard tires                              |           | Alliance 400/80 - 24 - 162A8                   |
| Forks length / width / section              | l / e / s | 1200 mm x 125 mm x 45 mm                       |
| Performances                                |           |  |
| Lifting                                     |           | 6.70 s   |
| Lowering                                    |           | 5.40 s   |
| Extension                                   |           | 13.60 s  |
| Retraction                                  |           | 8.70 s   |
| Crowd                                       |           | 2.70 s   |
| Dump  |           | 2.30 s   |
| Engine                                      |           |  |
| Engine brand                                |           | Perkins  |
| Engine model                                |           | 1104D-44 TA                                    |
| Number of cylinders / Capacity of cylinders |           | 4 - 4400 cm³                                   |
| I.C. Engine power rating - Power            |           | 101 Hp / 74.50 kW                              |
| Max. torque / Engine rotation               |           | 410 Nm @ 1400 rpm                              |
| Drawbar pull (Laden)                        |           | 9100 daN                                       |
| Transmission                                |           |  |
| Transmission type                           |           | Torque converter                               |
| Number of gears (forward / reverse)         |           | 4 / 4  |
| Max. travel speed                           |           | 27 km/h  |
| Parking brake                               |           | Manual   |
| Service brake                               |           | Oil-immersed multi-discs on front & rear axles |
| Hydraulics                                  |           |  |
| Hydraulic pump type                         |           | Gear pump                                      |
| Hydraulic flow / Pressure                   |           | 106 l/min-250 bar                              |
| Tank capacities                             |           |  |
| Engine oil                                  |           | 11 l   |
| Hydraulic oil                               |           | 128 l  |
| Fuel tank                                   |           | 120 l  |
| Noise and vibration                         |           |  |
| Noise at driving position (LpA)             |           | 76 dB  |
| Noise to environment (LwA)                  |           | 104 dB   |
| Vibration on hands/arms                     |           | < 2.50 m/s²                                    |
| Miscellaneous                               |           |  |
| Steering wheels (front / rear)              |           | 2 / 2  |
| Drive wheels (front / rear)                 |           | 2 / 2  |
| Safety / Safety cab homologation            |           | Standard EN 15000 / Cabin ROPS - FOPS level 2  |
| Controls                                    |           | JSM  |

MT-X 1033 Mining - Diagramas de carga

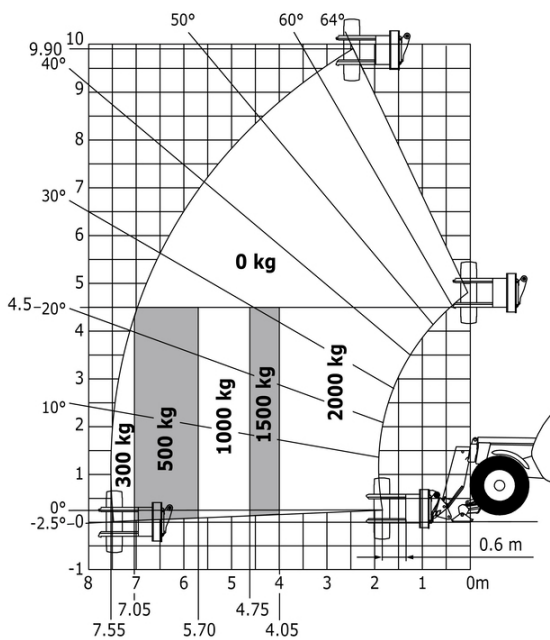
Machine on tires with forks Metric



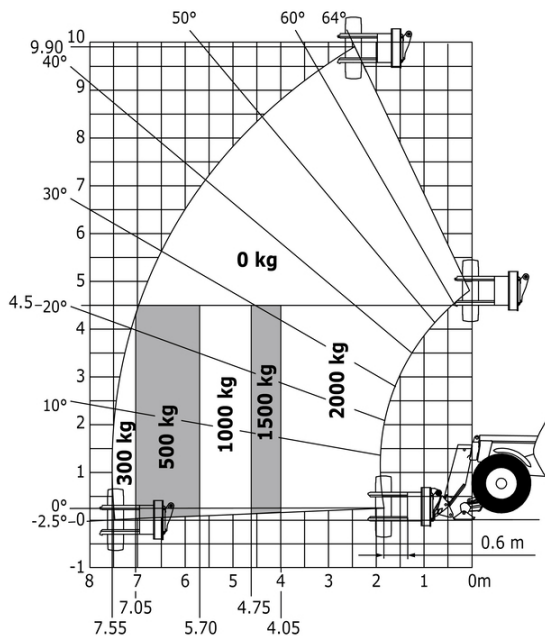
Machine on lowered stabilisers with forks Metric



Machine on tires with tire handler TH 33 (Metric)



Machine on lowered stabilisers with tyre handler TH 33 (Metric)



# Mining Specifications

|   | MT-X 1033 Mining |
|---|------------------|
| <b>Lifting function</b>                               |                  |
| Clamp predisposition (controls from cabin)            | O                |
| <b>Lighting</b>                                       |                  |
| Brake Lights ON When Park Brake ON                    | E                |
| Flat Led Rotating Beacon                              | E                |
| LED Flashing Lights On Cabin (Marker Lights)          | E                |
| LED traming lights                                    | E                |
| LED work lights on the boom (x2)                      | E                |
| LED working lights on cab (x4 : 2 front + 2 rear)     | E                |
| <b>Motorization/Power</b>                             |                  |
| Exhaust fume purification system                      | E                |
| Hydraulic hose sleeve burst protection                | E                |
| Metal cyclonic prefilter                              | E                |
| Radiator safety cap                                   | E                |
| <b>Other options</b>                                  |                  |
| Battery + Starter Isolators + Jump Start Receptacle   | E                |
| <b>Secondary functions</b>                            |                  |
| Automatic Greasing System (AGS) - chassis + boom      | O                |
| <b>Security</b>                                       |                  |
| "Guardian Angel" System Level 1                       | E                |
| Audio warning on reverse movements (lynx noise)       | E                |
| Boom cylinder lock                                    | E                |
| Emergency stop: 1 in cab, 2 on external               | E                |
| Fire extinguisher                                     | E                |
| Fire suppression system                               | O                |
| Fuse board protection - MT's                          | E                |
| High visibility reflective strips                     | E                |
| Loose wheel nut indicators                            | E                |
| Marking - Warning & Danger decals                     | E                |
| Mining protection grids: right, left and back windows | E                |
| Negative brakes on front & rear axles                 | E                |
| Rear and lateral camera with cab screen               | E                |
| Wheel chocks  | E                |
| Windshield protection grid                            | E                |



**Oficina Central**

B.P. 249 - 430 rue de l'Aubinière

44150 Ancenis Cedex - Francia

Tel.: 00 33 (0)2 40 09 10 11 - Fax: 00 33 (0)2 40 09 10 97

[www.manitou.com](http://www.manitou.com)



Esta publicación describe las versiones y posibilidades de configuración de los productos Manitou que puedan diferir en equipamiento. Los equipamientos presentados en este folleto pueden ser de serie, opcionales o no estar disponibles en algunas versiones. Manitou se reserva el derecho, en cualquier momento y sin previo aviso, de modificar las especificaciones descritas y representadas. Las especificaciones aportadas no comprometen al fabricante. Para más información, póngase en contacto con su concesionario Manitou. Documento no contractual. Presentación de los productos no contractual. Lista de especificaciones no exhaustiva. Los logos y la identidad visual de la empresa son propiedad de Manitou y no pueden ser utilizados sin autorización. Todos los derechos reservados. Las fotos y los esquemas contenidos en este folleto se ofrecen para consulta y a título indicativo solamente.

Manitou BF SA - Sociedad anónima con Consejo de Administración - Capital social: 39 668 399 euros - 857 802 508 RCS Nantes