

Fiche technique :

# MT-X 733 MINING



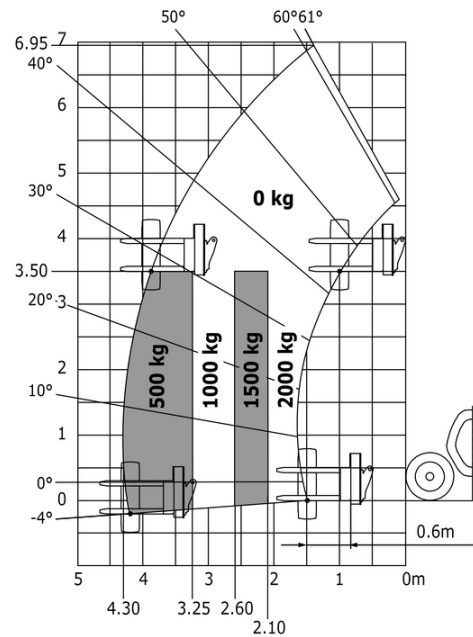
| Capacities   |           | Métrique   |
|--|-----------|--|
| Max. capacity  |           | 3300 kg  |
| Max. lifting height  |           | 6.90 m   |
| Max. outreach  |           | 3.90 m   |
| Breakout force with bucket                                       |           | 7400 daN   |
| Weight and dimensions  |           |  |
| Overall length to carriage                                       | l11       | 4.74 m   |
| Length to face of forks  | l2        | 4.76 m   |
| Overall width  | b1        | 2.26 m   |
| Overall height   | h17       | 2.30 m   |
| Wheelbase  | y         | 2.81 m   |
| Ground clearance   | m4        | 0.45 m   |
| Overall cab width  | b4        | 0.89 m   |
| Tilt-up angle  | a4        | 12 °   |
| Tilt-down angle  | a5        | 114 °  |
| External turning radius (over tyres)                             | Wa1       | 3.80 m   |
| Unladen weight (with forks)                                      |           | 6620 kg  |
| Overall weight   |           | 6620 kg  |
| Tires type   |           | Pneumatic  |
| Standard tires   |           | Alliance 400/80 - 24 - 162A8                           |
| Forks length / width / section                                   | l / e / s | 1200 mm x 125 mm x 45 mm                               |
| Performances   |           |  |
| Lifting  |           | 7.20 s   |
| Lowering   |           | 5.50 s   |
| Extension  |           | 6.50 s   |
| Retraction   |           | 5.40 s   |
| Crowd  |           | 2.90 s   |
| Dump   |           | 2.80 s   |
| Engine   |           |  |
| Engine brand   |           | Perkins  |
| Engine norm  |           | Stage IIIA   |
| Engine model   |           | 1104D-44 T   |
| Number of cylinders / Capacity of cylinders                      |           | 4 - 4400 cm <sup>3</sup>                               |
| I.C. Engine power rating - Power                                 |           | 95 Hp / 70 kW  |
| Max. torque / Engine rotation                                    |           | 392 Nm @ 1400 rpm                                      |
| Drawbar pull (Laden)   |           | 9000 daN   |
| Transmission   |           |  |
| Transmission type  |           | Torque converter                                       |
| Number of gears (forward / reverse)                              |           | 3 / 3  |
| Max. travel speed  |           | 15 km/h  |
| Max. travel speed (may vary according to applicable regulations) |           | 15 km/h  |
| Parking brake  |           | Manual   |
| Service brake  |           | Oil-immersed multi-discs braking on front & rear axles |
| Hydraulics   |           |  |
| Hydraulic pump type  |           | Gear pump  |
| Hydraulic flow / Pressure  |           | 104 l/min-250 bar                                      |
| Tank capacities  |           |  |
| Engine oil   |           | 10 l   |
| Hydraulic oil  |           | 128 l  |
| Fuel tank  |           | 120 l  |
| Noise and vibration  |           |  |
| Noise at driving position (LpA)                                  |           | 78 dB  |
| Noise to environment (LwA)                                       |           | 104 dB   |
| Vibration on hands/arms  |           | < 2.50 m/s <sup>2</sup>                                |
| Miscellaneous  |           |  |
| Steering wheels (front / rear)                                   |           | 2 / 2  |
| Drive wheels (front / rear)                                      |           | 2 / 2  |
| Safety / Safety cab homologation                                 |           | Standard EN 15000 / Cabin ROPS - FOPS level 2          |
| Controls   |           | JSM  |

## MT-X 733 Mining - Abaques

Machine on tires with forks Metric



Machine on tires with tire handler TH 33 (Metric)



## Spécifications Mining

|   | MTX 733 Mining |
|---|----------------|
| <b>Lifting function</b>                               |                |
| Clamp predisposition (controls from cabin)            | 0              |
| <b>Lighting</b>                                       |                |
| Brake Lights ON When Park Brake ON                    | S              |
| Flat Led Rotating Beacon                              | S              |
| LED Flashing Lights On Cabin (Marker Lights)          | S              |
| LED tramming lights                                   | S              |
| LED work lights on the boom (x2)                      | S              |
| LED working lights on cab (x4 : 2 front + 2 rear)     | S              |
| <b>Motorization/Power</b>                             |                |
| Exhaust fume purification system                      | S              |
| Hydraulic hose sleeve burst protection                | S              |
| Metal cyclonic prefilter                              | S              |
| Radiator safety cap                                   | S              |
| <b>Other options</b>                                  |                |
| Battery + Starter Isolators + Jump Start Receptacle   | S              |
| <b>Secondary functions</b>                            |                |
| Automatic Greasing System (AGS) - chassis + boom      | 0              |
| <b>Security</b>                                       |                |
| "Guardian Angel" System Level 1                       | S              |
| Audio warning on reverse movements (lynx noise)       | S              |
| Boom cylinder lock                                    | S              |
| Emergency stop: 1 in cab, 2 on external               | S              |
| Fire extinguisher                                     | S              |
| Fire suppression system                               | 0              |
| Fuse board protection - MT's                          | S              |
| High visibility reflective strips                     | S              |
| Loose wheel nut indicators                            | S              |
| Marking - Warning & Danger decals                     | S              |
| Mining protection grids: right, left and back windows | S              |
| Negative brakes on front & rear axles                 | S              |
| Rear and lateral camera with cab screen               | S              |
| Wheel chocks  | S              |
| Windshield protection grid                            | S              |



**Siège Social**

B.P. 249 - 430 rue de l'Aubinière

44150 Ancenis Cedex - France

Tel: +33 (0)2 40 09 10 11 - Fax: +33 (0)2 40 09 10 97

[www.manitou.com](http://www.manitou.com)



Cette publication présente le descriptif des versions et possibilités de configuration des produits Manitou qui peuvent différer en équipement. Les équipements présentés dans cette brochure peuvent être de série, en option, ou non disponibles suivant les versions. Manitou se réserve le droit, à tout moment et sans préavis, de modifier les spécifications décrites et représentées. Les spécifications portées n'engagent pas le constructeur. Pour plus de détails, contactez votre concessionnaire Manitou. Document non contractuel. Présentation des produits non contractuelle. Liste des spécifications non exhaustive. Les logos ainsi que l'identité visuelle de l'entreprise sont la propriété de Manitou et ne peuvent être utilisés sans autorisation. Tous droits réservés. Les photos et schémas contenus dans la présente brochure ne sont fournis qu'à des fins de consultation et à titre indicatif.

Manitou BF SA - Société anonyme à conseil d'administration - Capital social : 39 668 399 euros - 857 802 508 RCS Nantes